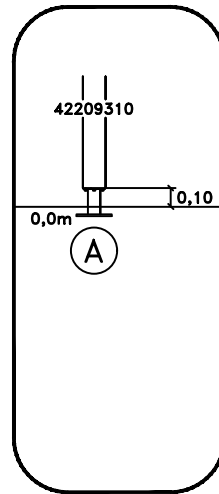


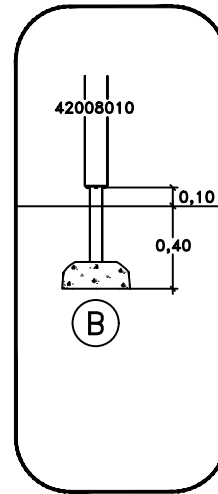
260329
4203
420692
420693
422212
423212
424212
448000
42008010
42060310
42070711
42071810
42072610
42074114
42074410
42077010
42077120
42077130
42271810
42272610
42277010
42277120
42277130

42471810
42472610
42477010
42477120
42477130
MA420688
MASW37573
MASW39726
MASW39775
MASW39776
MASW42099
MASW53782
MASW53811

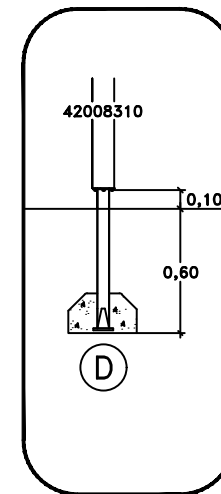
42008010



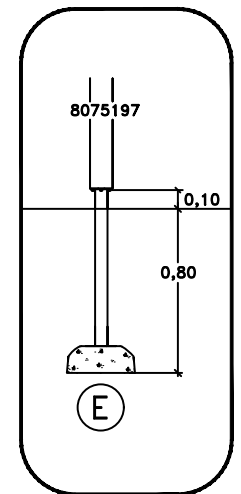
OM
Above Ground
 8068990
 8068995



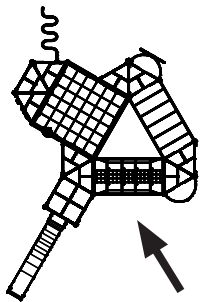
SF
Sunken Foundation
 8068880
 8068991
 8068996



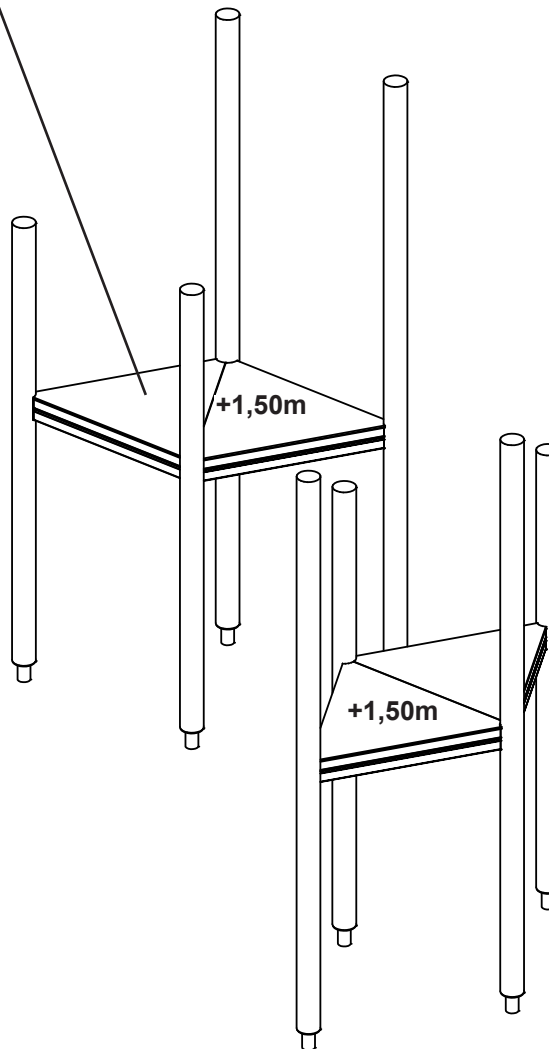
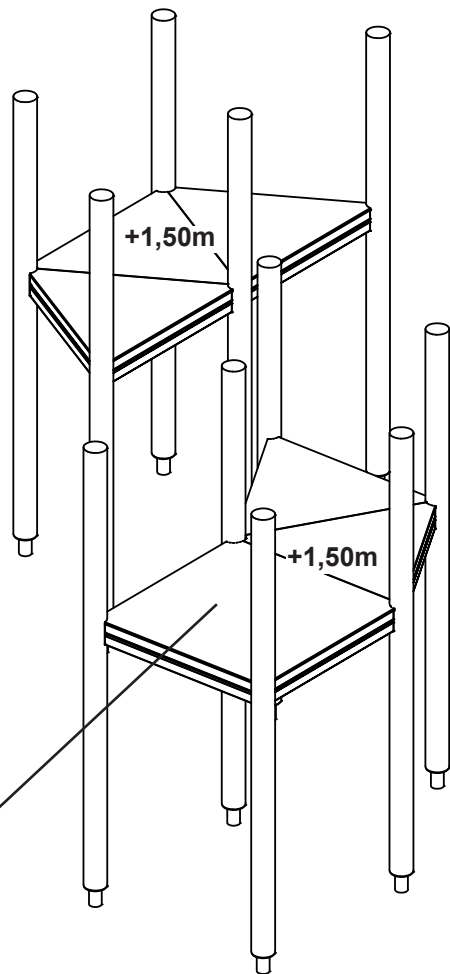
CC
Cast In Place
 8068860



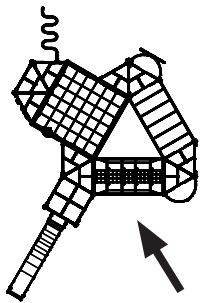
BM
Loosefill
 8068859



 **MASW53811**
x9



 **MASW53782**

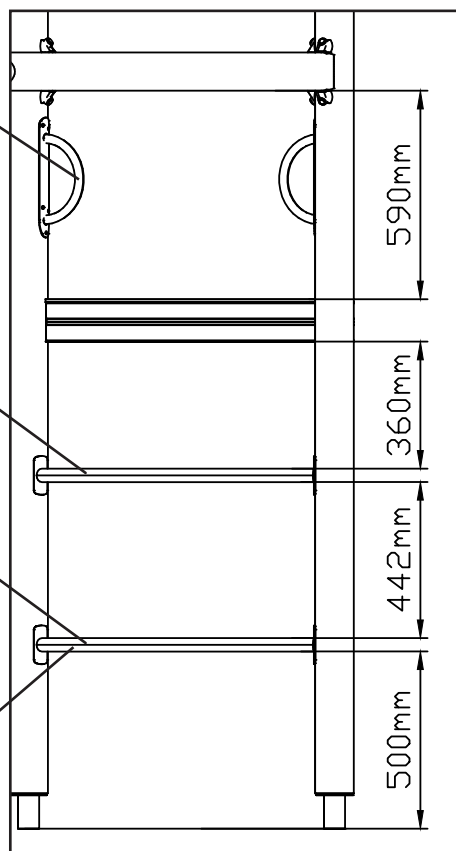


● MASW39776
x6

+1,02
x3

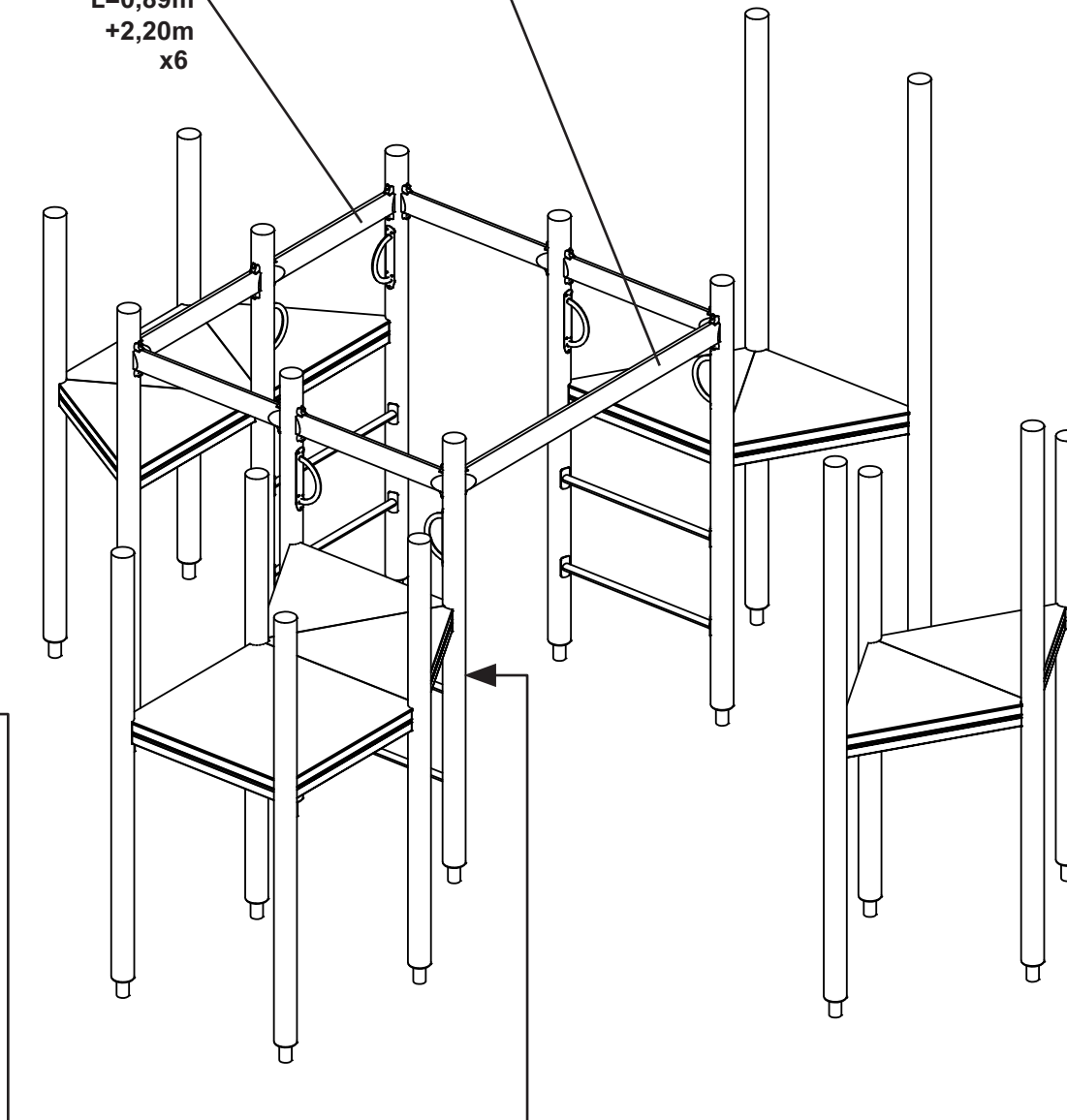
+0,54
x3

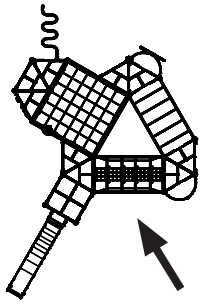
● MASW37573
x6



● 42060310
L=0,89m
+2,20m
x6

● 42060310
L=1,89m
+2,20m





4203
8052426

4203
8052426

4203
8052426

MASW42099
0,89m x 2,15m

4203
8052426

4203
8052426

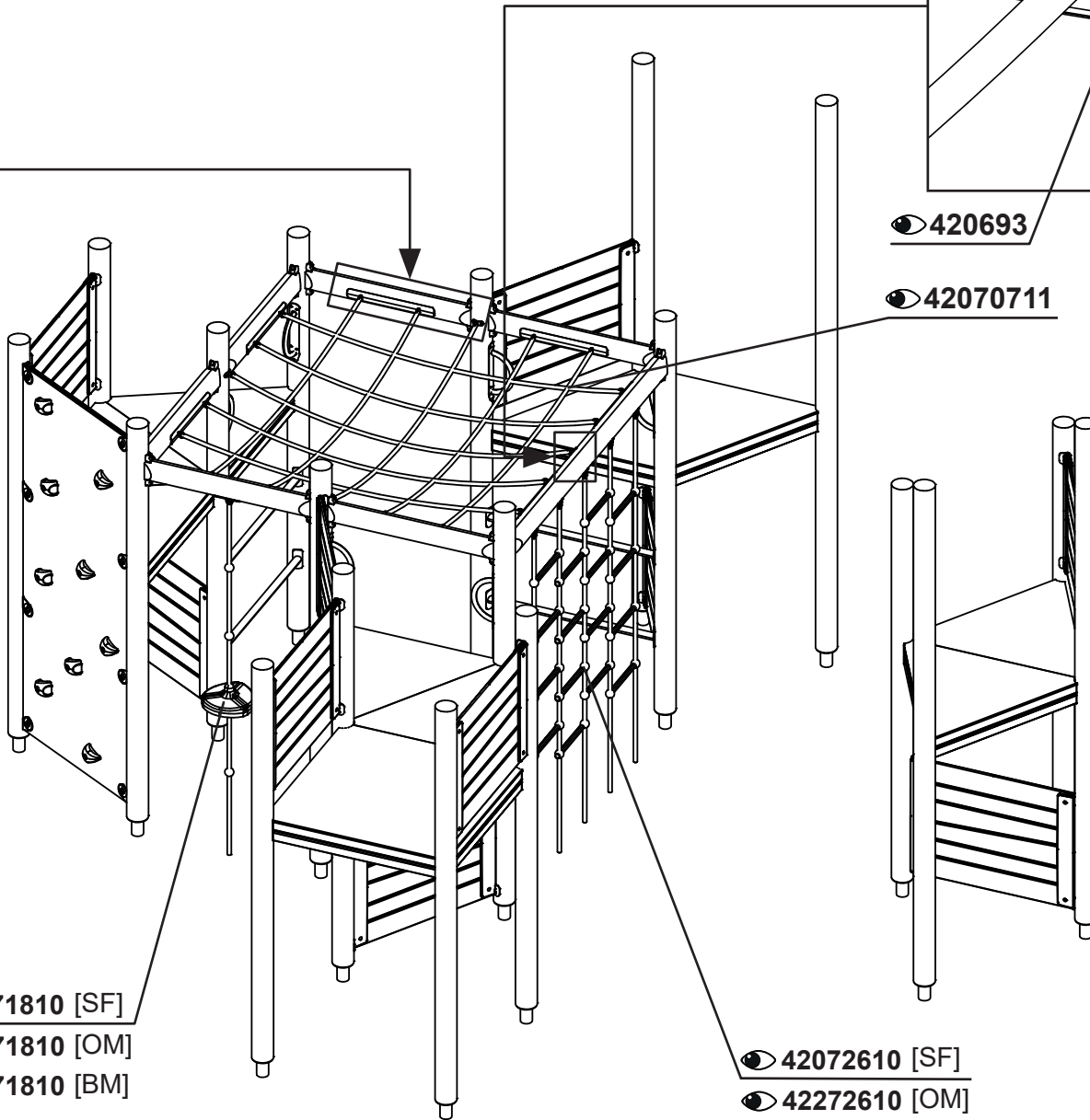
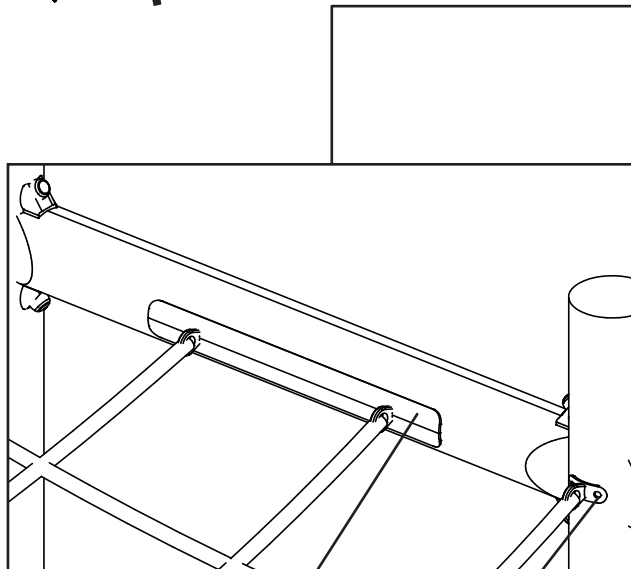
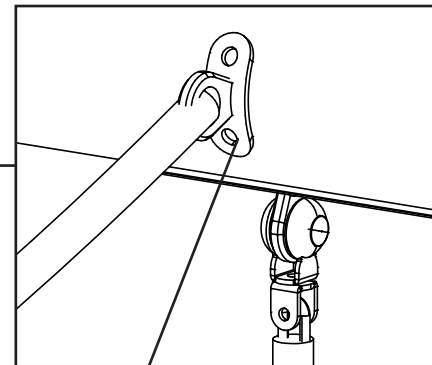
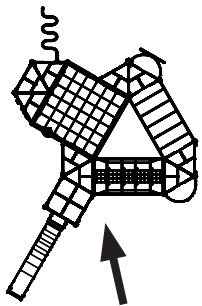
4203
8052426

4203
8052426

4203
8052426

4203
8052426

4203
8052426



420693

42070711

MA420688

x8

420692

x3

42071810 [SF]

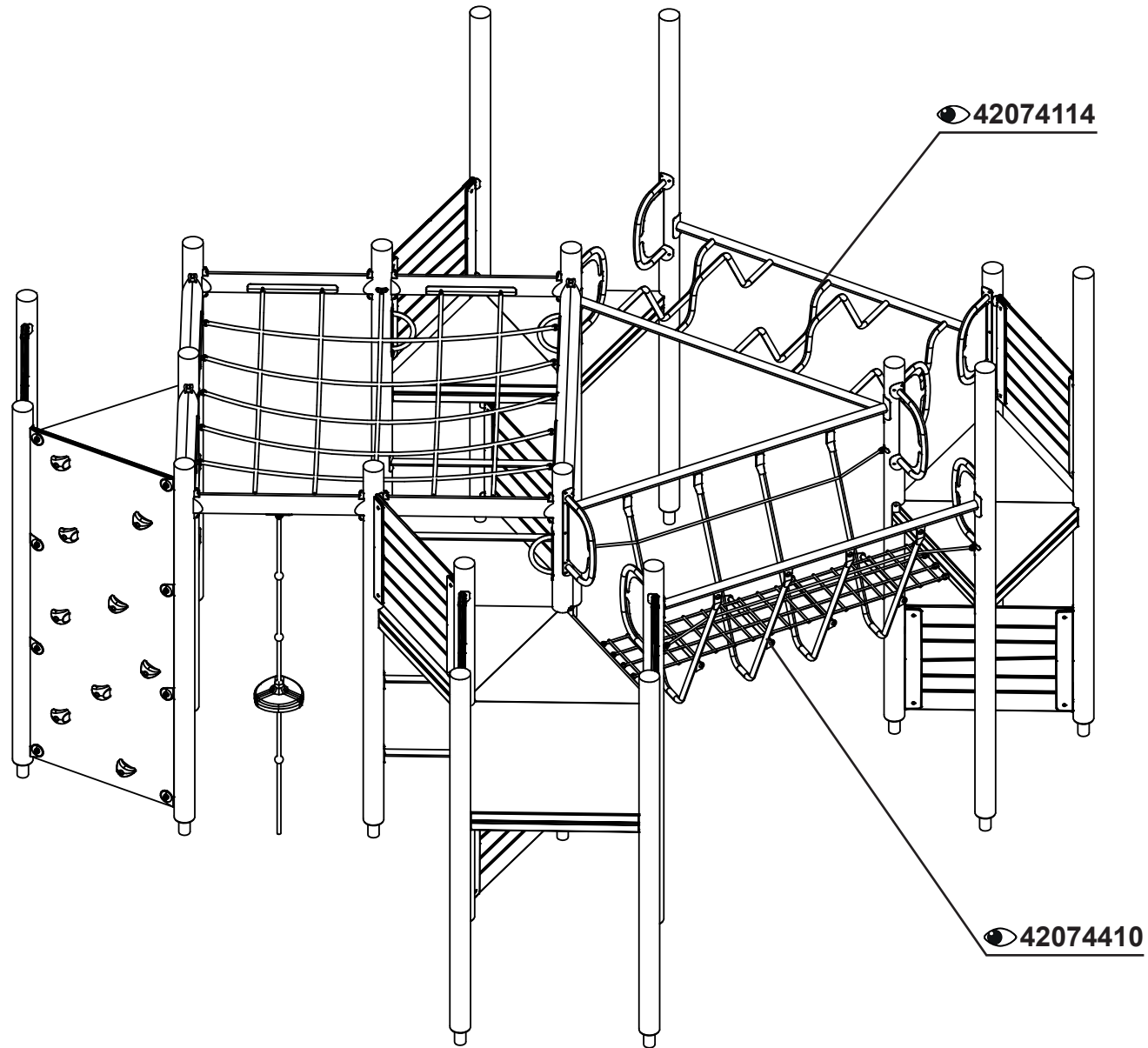
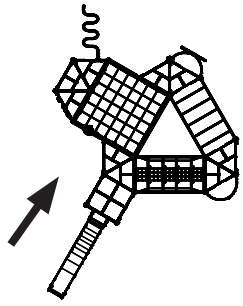
42271810 [OM]

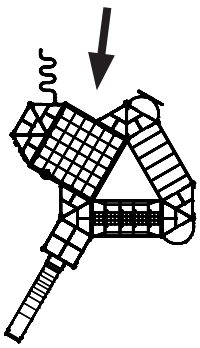
42471810 [BM]

42072610 [SF]

42272610 [OM]

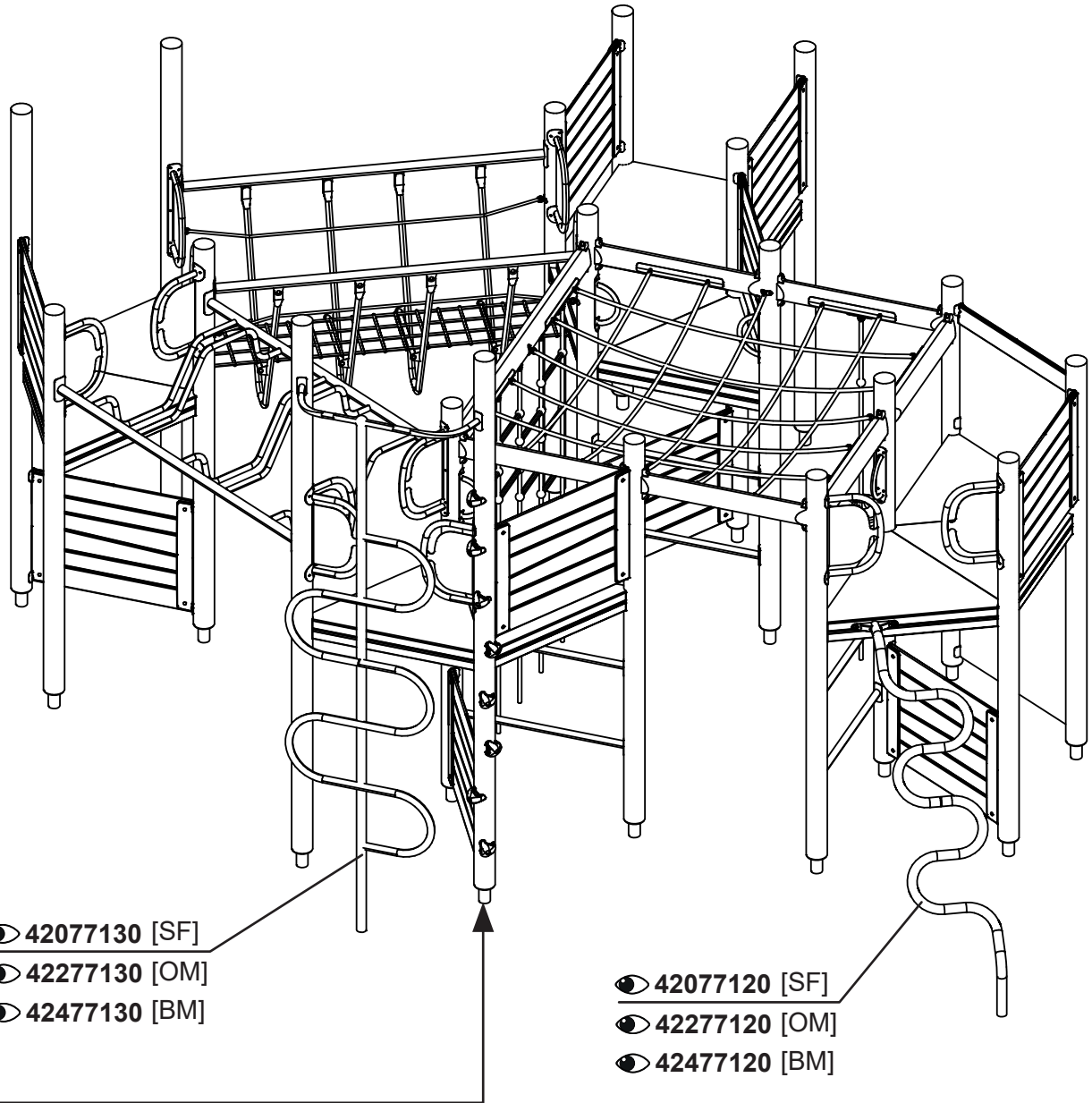
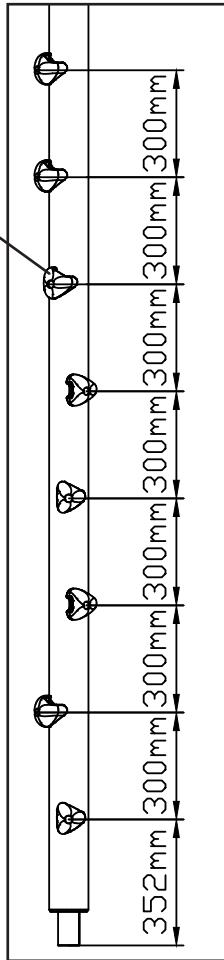
42472610 [BM]





● MASW39726

x8



● 42077130 [SF]

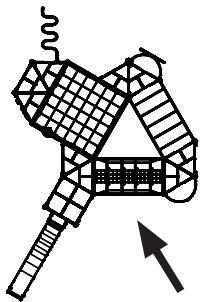
● 42277130 [OM]

● 42477130 [BM]

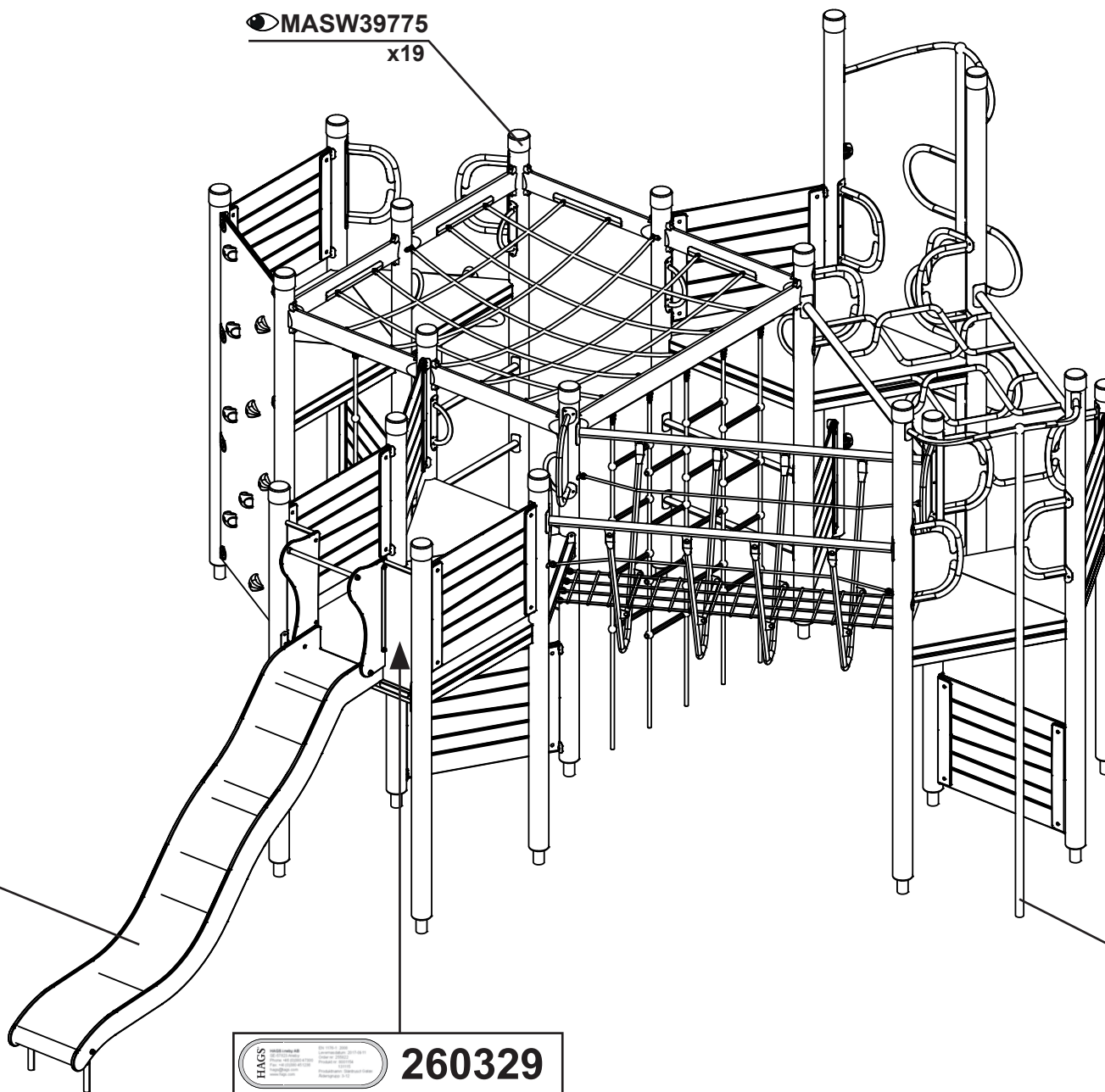
● 42077120 [SF]

● 42277120 [OM]

● 42477120 [BM]



● MASW39775
x19



- 423212 [SF]
- 422212 [OM]
- 424212 [BM]

- 42077010 [SF]
- 42277010 [OM]
- 42477010 [BM]

HAGS
260329